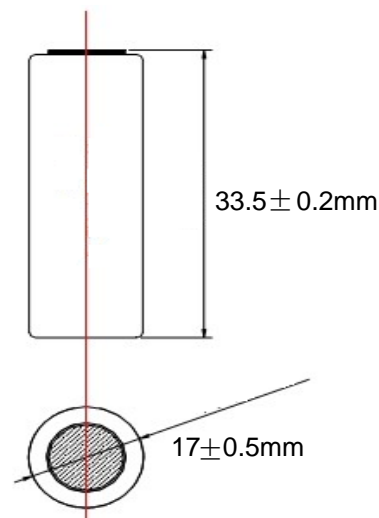


Basic Specifications		
Product Name	Lithium-ion Battery	
Model	ICR17335 700mAh	
Nominal Voltage	3.7V	
Rated Capacity	700mAh (Min: 671mAh)	
Discharge Cut-off Voltage	3.0V	
Max. Charge Voltage	4.20±0.05V	
Standard Charge Current	0.2C	
Rapid Charge Current	1C	
Standard Discharge Current	0.2C	
Rapid Discharge current	1C	
Max. Pulse Discharge Current	2.1A	
Operating Temperature	Charge	0~ +45°C
	Discharge	-20~ +60°C
Dimensions	Diameter	17 ± 0.5 mm
	Height	33.5±0.2 mm
Weight(Approximately)		18 ± 2g

Dimensions :

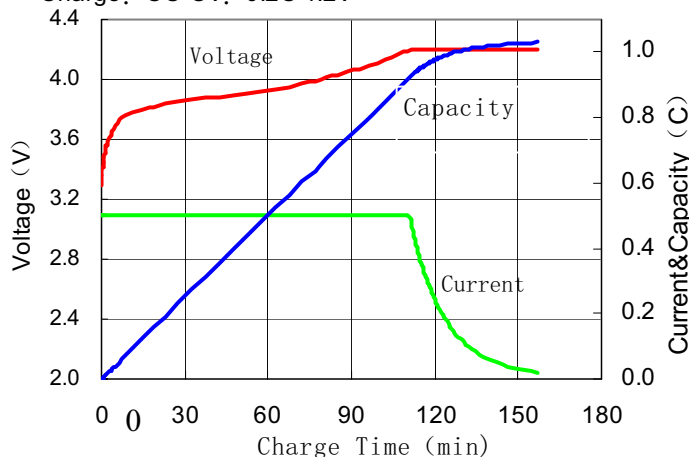


Unit: mm

Charge Characteristics

Measurement temperature:25°C

Charge: CC-CV: 0.2C-4.2V

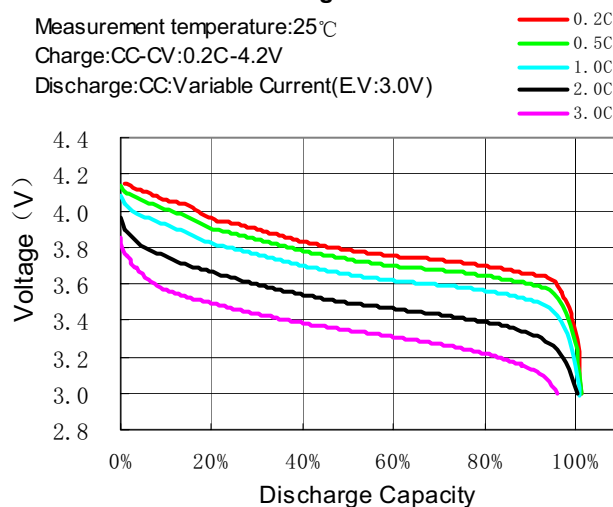


Rate Discharge Characteristics

Measurement temperature:25°C

Charge:CC-CV:0.2C-4.2V

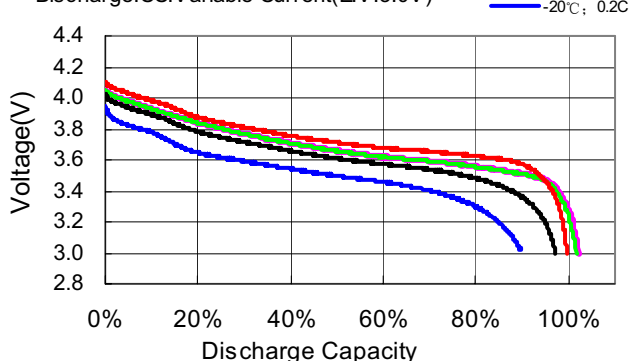
Discharge:CC:Variable Current(EV:3.0V)



Discharge Temperature Characteristics

Charge:CC-CV:0.2C-4.2V , 25°C

Discharge:CC:Variable Current(EV:3.0V)

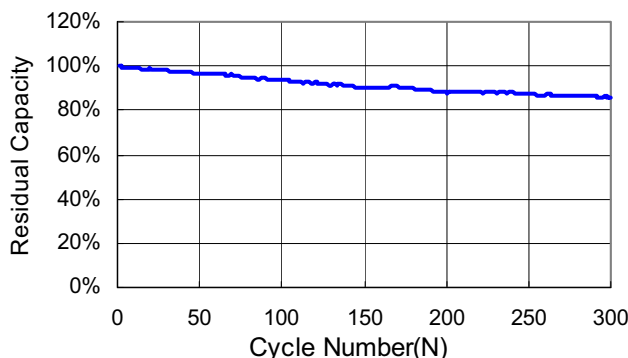


Cycle Characteristics

Measurement temperature:25°C

Charge:CC-CV:0.2C-4.2V

Discharge:CC:0.2C(EV:3.0V)



Manufacturer reserves the right to alter or amend the approval sheet without the prior notice