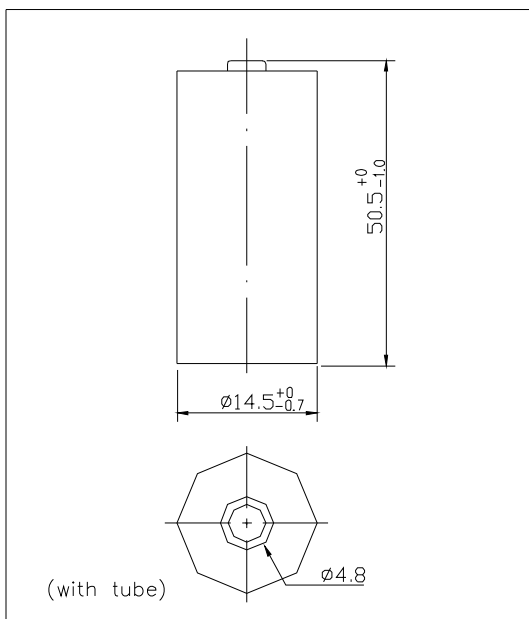
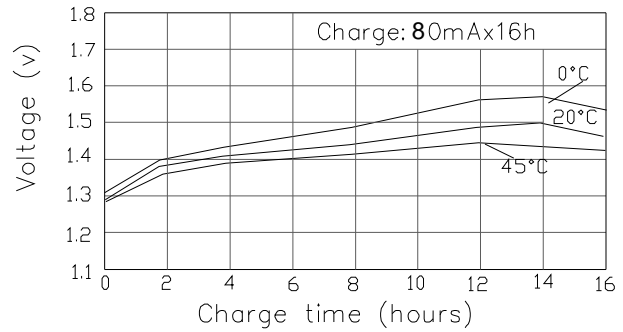


Product Name		Sealed Nickel Cadmium Cylindrical Rechargeable Battery
Model		EJD-AA800HT
Nominal Voltage		1.2V
Nominal Capacity		800mAh
Dimension (with tube)	Diameter	14.5 ⁺⁰ _{-0.7}
	Height	50.5 ⁺⁰ _{-1.0}
Internal Resistance at 1000Hz		≤ 25mΩ (After charge)
Charge	Standard	80mA X 16h
	Rapid	-----
	Trickle	27~45mA
Discharge Cut-off Voltage		1.0V
Cycle Life		≥ 500 Cycles
Ambient Temperature	Standard Charge	0°C to 70°C
	Rapid Charge	-----
	Trickle Charge	0°C to 70°C
	Discharge	-20°C to 70°C
	Storage	-20°C to 45°C
Ambient Humidity		65±20%

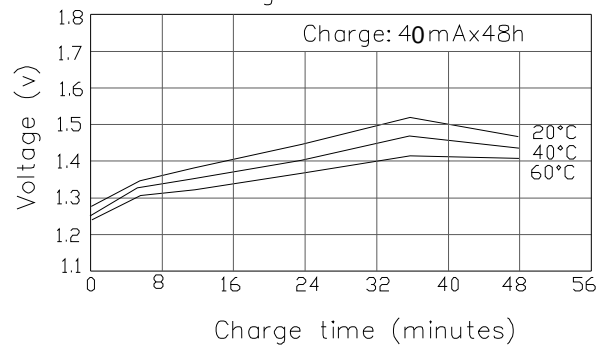


General Characteristics

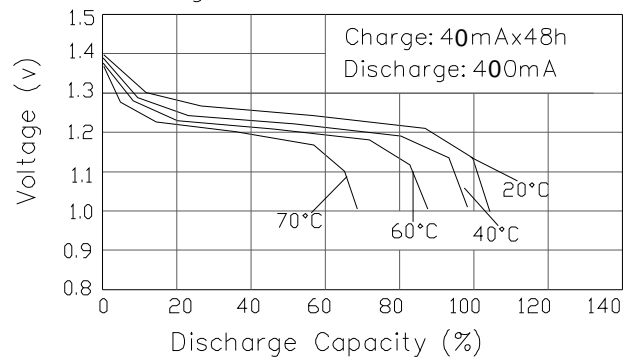
Standard charge



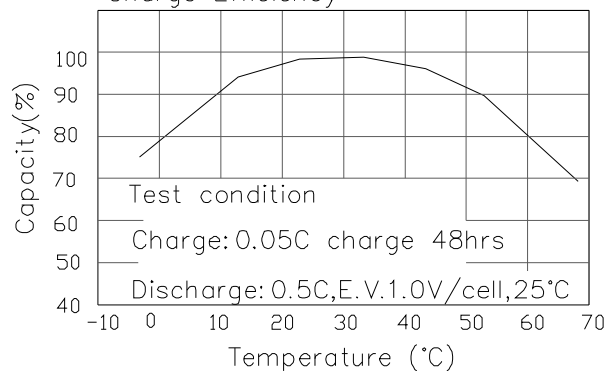
Trickle charge



Discharge



Charge Efficiency



Manufacturer reserves the right to alter or amend the approval sheet without the prior notice