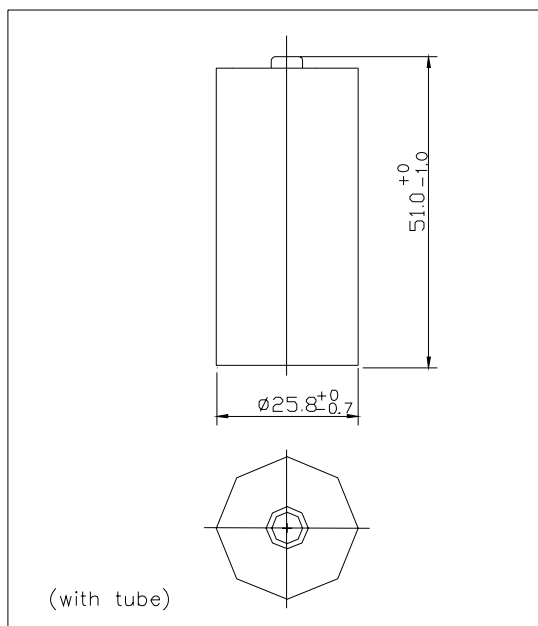
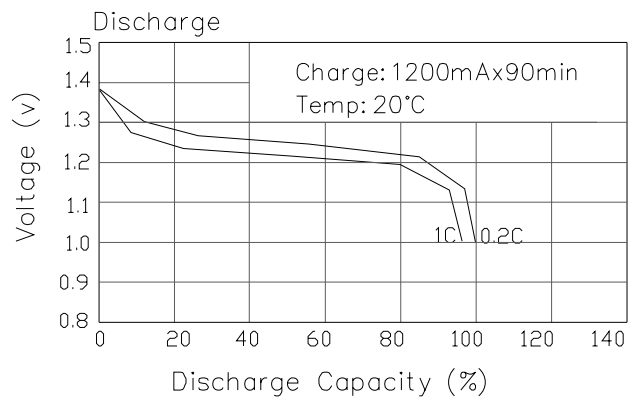
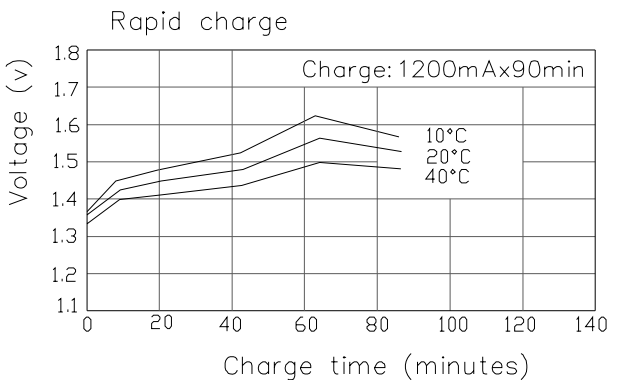
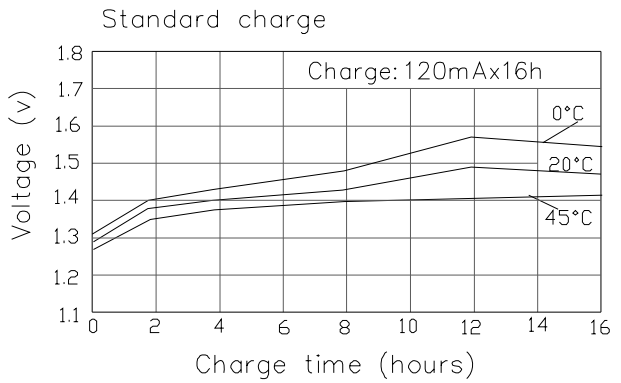


Single Specification		
Product Name	Sealed Nickel Cadmium Cylindrical Rechargeable Battery	
Model	<b>EJD-C1200</b>	
Nominal Voltage	1.2V	
Nominal Capacity	1200mAh	
Dimension (with tube)	Diameter	25.8 <sup>+0</sup> <sub>-1.0</sub>
	Height	51.0 <sup>+0</sup> <sub>-1.0</sub>
Internal Resistance at 1000Hz		≤ 15mΩ (After charge)
Charge	Standard	120mA × 16h
	Rapid	1200mA × 90min
	Trickle	36~60mA
Discharge Cut-off Voltage		1.0V
Cycle Life		≥ 500 Cycles
Ambient Temperature	Standard Charge	0°C to 45°C
	Rapid Charge	10°C to 40°C
	Trickle Charge	0°C to 45°C
	Discharge	-20°C to 50°C
	Storage	-20°C to 45°C
Ambient Humidity		65±20%

### General Characteristics



Manufacturer reserves the right to alter or amend the approval sheet without the prior notice