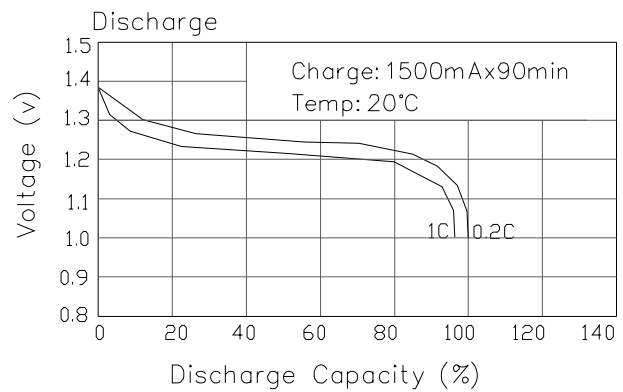
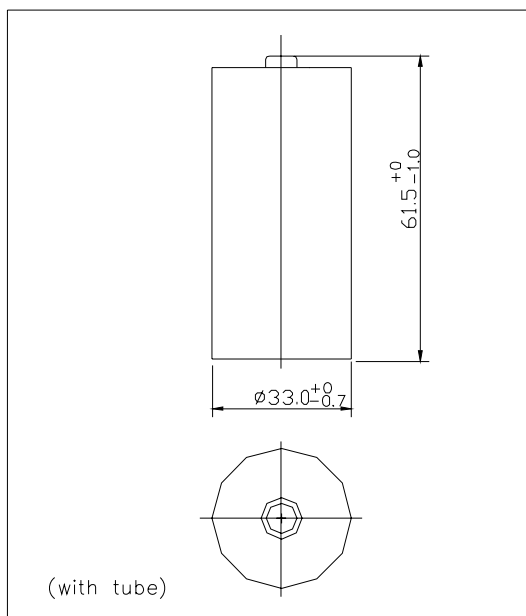
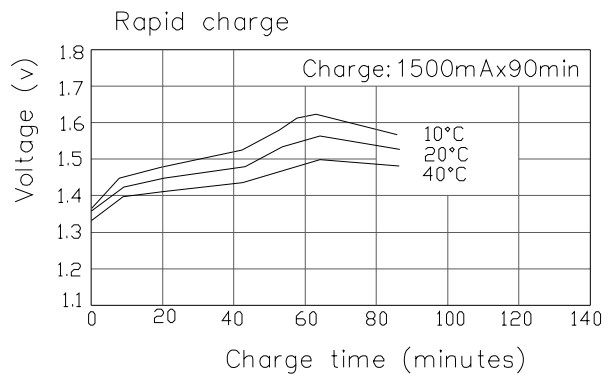
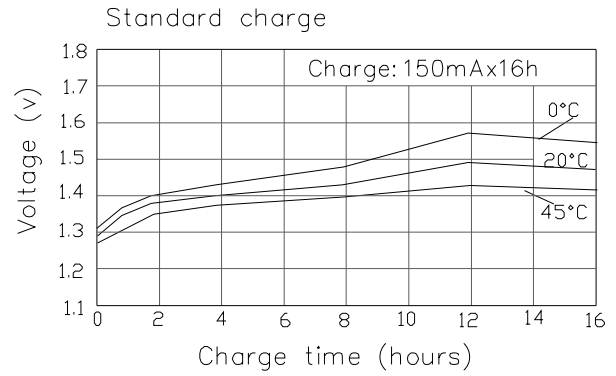


| Single Specification | | |
|-------------------------------|--|------------------------------------|
| Product Name | Sealed Nickel Cadmium Cylindrical Rechargeable Battery | |
| Model | EJD-D1500 | |
| Nominal Voltage | 1.2V | |
| Nominal Capacity | 1500mAh | |
| Dimension (with tube) | Diameter | 33.0 ⁺⁰ _{-1.0} |
| | Height | 61.5 ⁺⁰ _{-1.0} |
| Internal Resistance at 1000Hz | | ≤ 12mΩ (After charge) |
| Charge | Standard | 150mA × 16h |
| | Rapid | 1500mA × 90min |
| | Trickle | 45~75mA |
| Discharge Cut-off Voltage | | 1.0V |
| Cycle Life | | ≥ 500 Cycles |
| Ambient Temperature | Standard Charge | 0°C to 45°C |
| | Rapid Charge | 10°C to 40°C |
| | Trickle Charge | 0°C to 45°C |
| | Discharge | -20°C to 50°C |
| | Storage | -20°C to 45°C |
| Ambient Humidity | | 65±20% |

General Characteristics



Manufacturer reserves the right to alter or amend the approval sheet without the prior notice