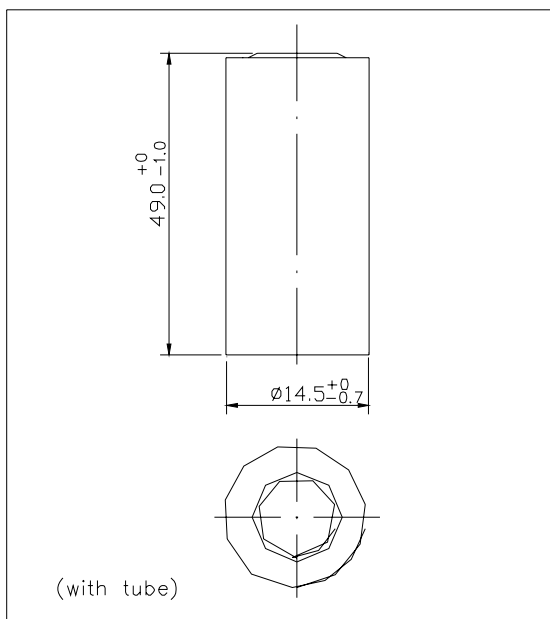
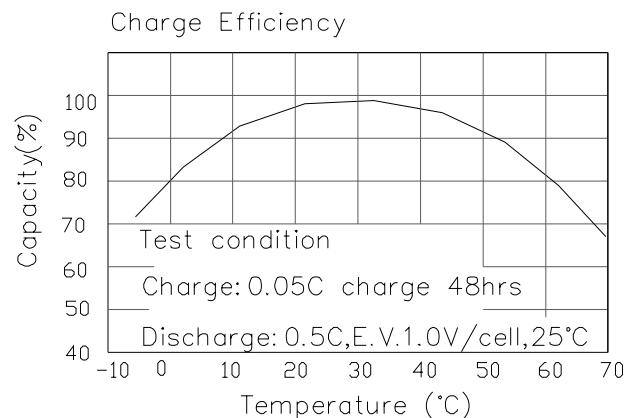
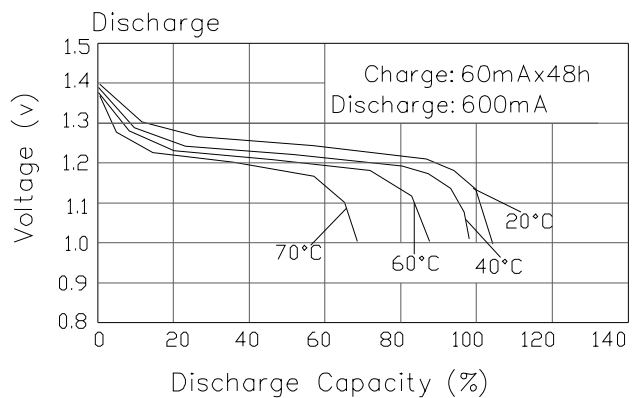
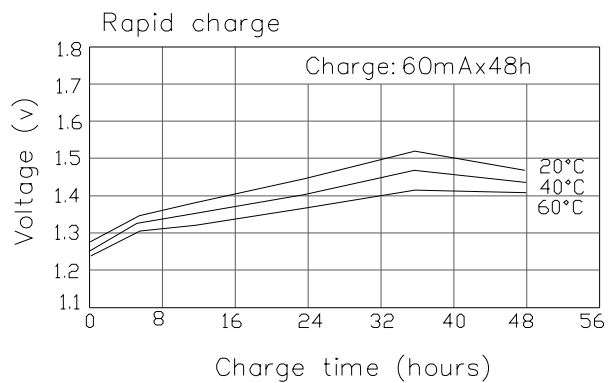
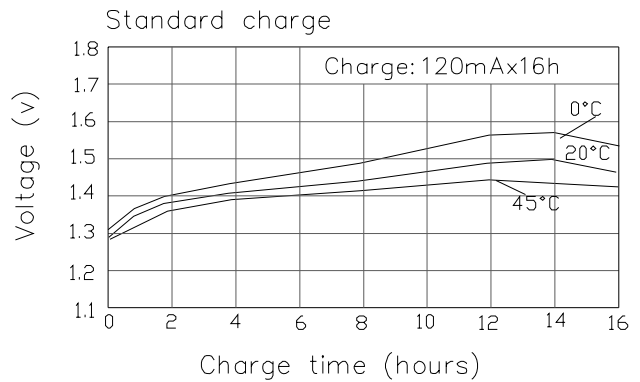


Single Specification		
Product Name	Sealed Nickel Metal Hydride Cylindrical Rechargeable Battery	
Model	<b>EJH-AA1200HT</b>	
Nominal Voltage	1.2V	
Nominal Capacity	1200mAh	
Dimension (with tube)	Diameter	14.5 <sup>+0</sup> <sub>-0.7</sub>
	Height	49.0 <sup>+0</sup> <sub>-1.0</sub>
Internal Resistance at 1000Hz	≤ 25mΩ (After charge)	
Charge	Standard	120mA×16h
	Rapid	— — —
	Trickle	36~60mA
Discharge Cut-off Voltage	1.0V	
Cycle Life	> 500 Cycles	
Ambient Temperature	Standard Charge	0°C to 70°C
	Rapid Charge	— — —
	Trickle Charge	0°C to 70°C
	Discharge	-20°C to 70°C
	Storage	-20°C to 45°C
Ambient Humidity	65±20%	



### General Characteristics



Manufacturer reserves the right to alter or amend the approval sheet without the prior notice