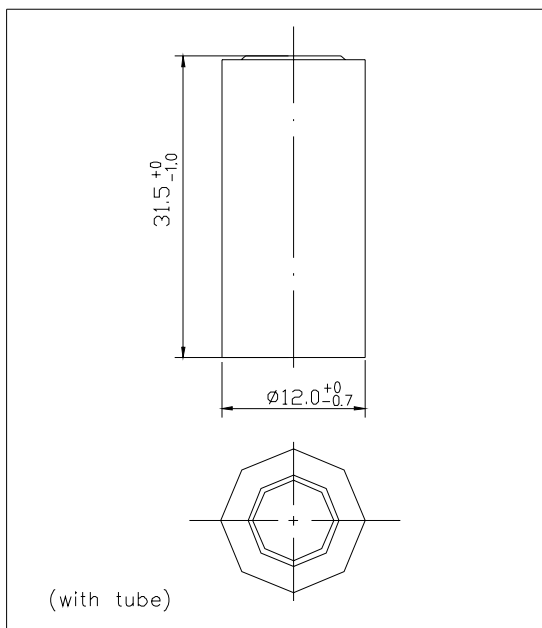
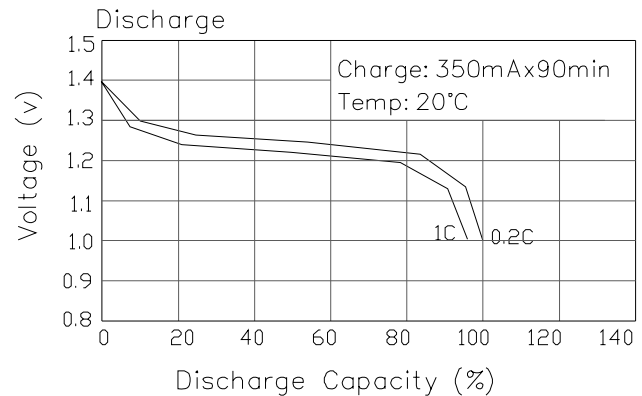
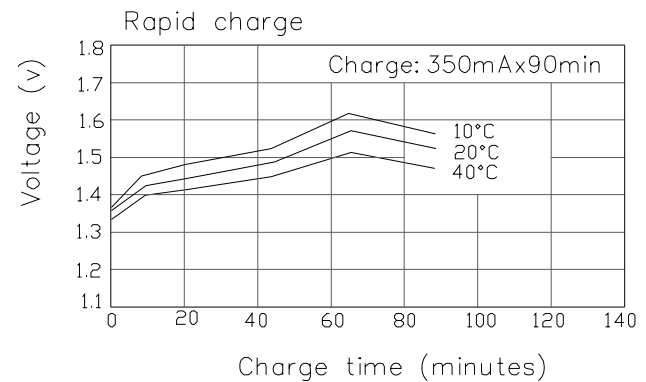
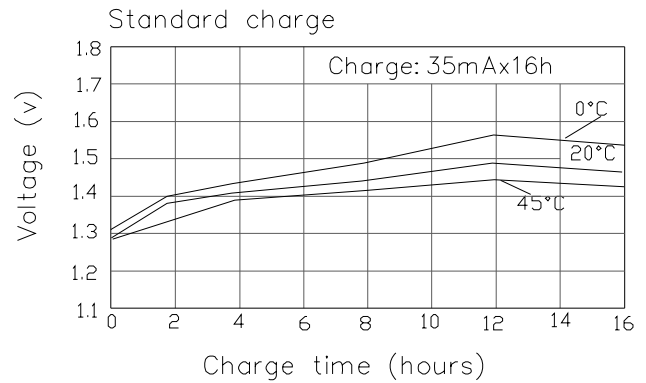


Product Name		Sealed Nickel Cadmium Cylindrical Rechargeable Battery
Model		EJD-N350
Nominal Voltage		1.2V
Nominal Capacity		350mAh
Dimension (with tube)	Diameter	12.0 ⁺⁰ / _{-0.7}
	Height	31.5 ⁺⁰ / _{-1.0}
Internal Resistance at 1000Hz		≤ 40mΩ (After charge)
Charge	Standard	35mA × 16h
	Rapid	350mA × 90min
	Trickle	10.5~17.5mA
Discharge Cut-off Voltage		1.0V
Cycle Life		≥ 500 Cycles
Ambient Temperature	Standard Charge	0°C to 45°C
	Rapid Charge	10°C to 40°C
	Trickle Charge	0°C to 45°C
	Discharge	-20°C to 50°C
	Storage	-20°C to 45°C
Ambient Humidity		65±20%



General Characteristics



Manufacturer reserves the right to alter or amend the approval sheet without the prior notice

