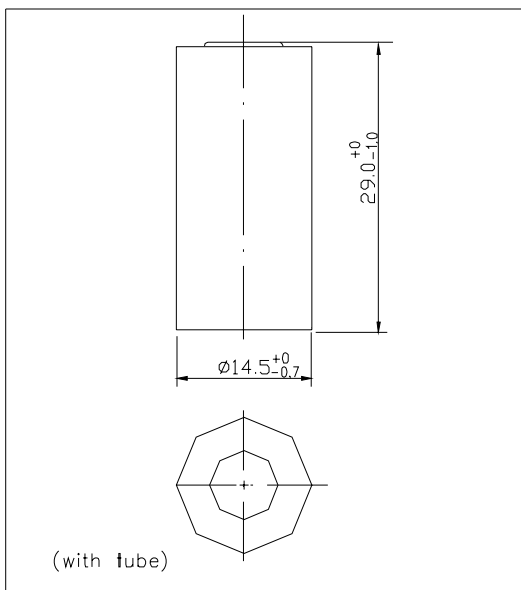
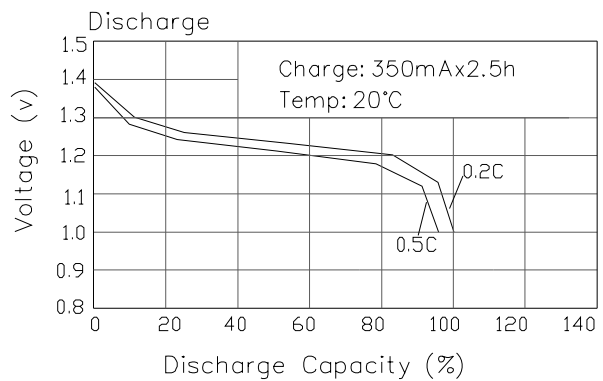
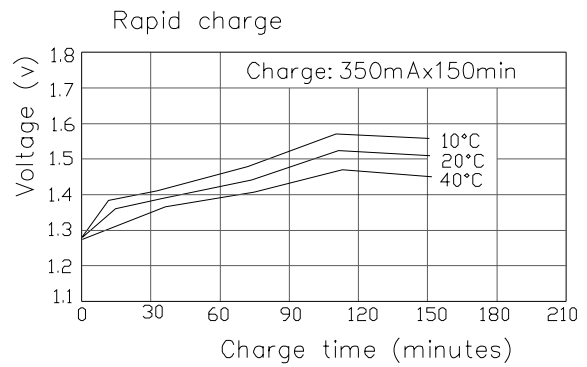
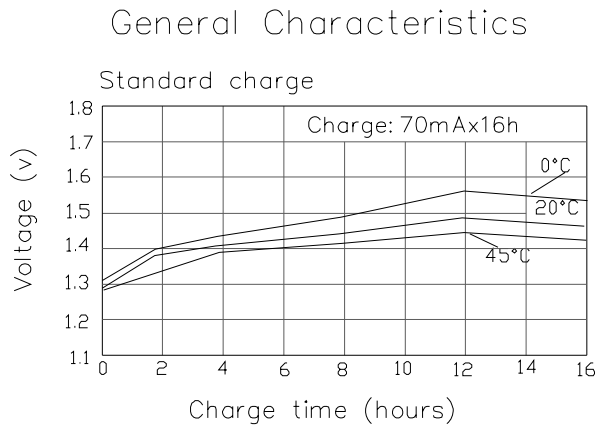


Single specification		
Product Name	Sealed Nickel Metal Hydride Cylindrical Rechargeable Battery	
Model	EJH-2/3AA700	
Nominal Voltage	1.2V	
Nominal Capacity	700mAh	
Dimension (with tube)	Diameter	14.5 ⁺⁰ / _{-0.7}
	Height	29.0 ⁺⁰ / _{-1.0}
Internal Resistance at 1000Hz	≤ 30mΩ (After charge)	
Charge	Standard	70mA × 16h
	Rapid	350mA × 2.5h
	Trickle	21~35mA
Discharge Cut-off Voltage	1.0V	
Cycle Life	≥ 500 Cycles	
Ambient Temperature	Standard Charge	0°C to 45°C
	Rapid Charge	10°C to 40°C
	Trickle Charge	0°C to 45°C
	Discharge	-20°C to 50°C
	Storage	-20°C to 45°C
Ambient Humidity	65±20%	



Manufacturer reserves the right to alter or amend the approval sheet without the prior notice