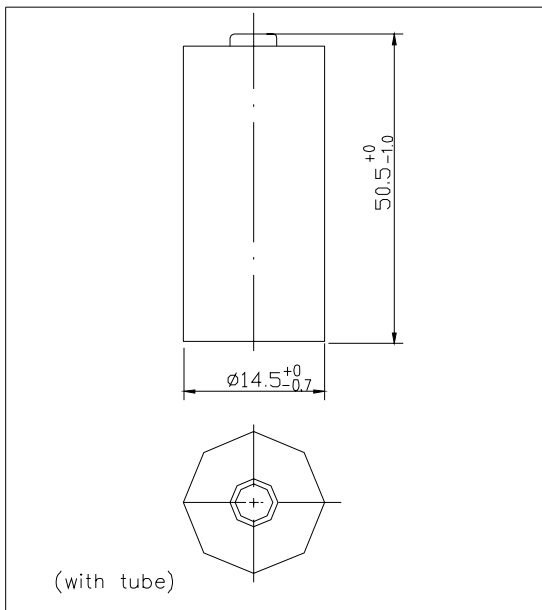
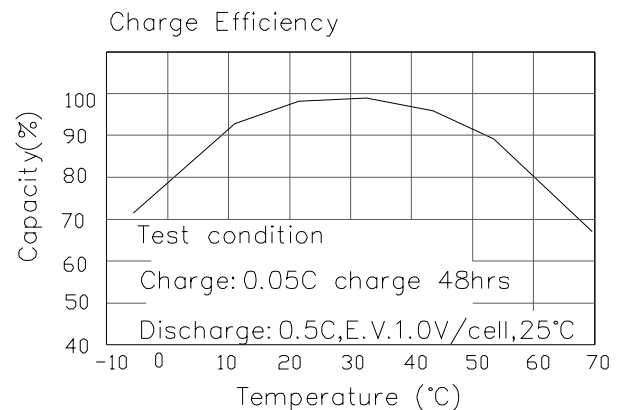
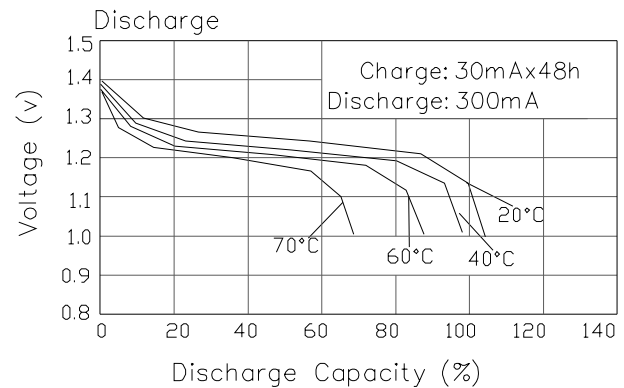
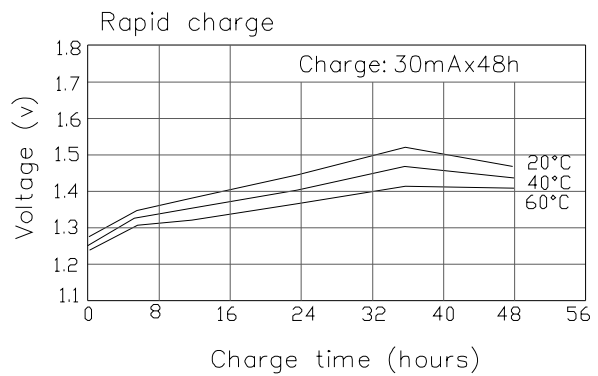
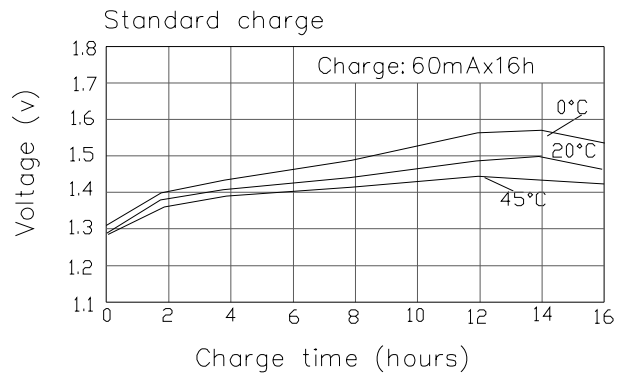


| Single specification | | |
|-------------------------------|-----------------|--|
| Product Name | | Sealed Nickel Metal Hydride Cylindrical Rechargeable Battery |
| Model | | EJH-AA600HT |
| Nominal Voltage | | 1.2V |
| Nominal Capacity | | 600mAh |
| Dimension (with tube) | Diameter | 14.5 ⁺⁰ _{-0.7} |
| | Height | 50.5 ⁺⁰ _{-1.0} |
| Internal Resistance at 1000Hz | | ≤ 30mΩ (After charge) |
| Charge | Standard | 60mA × 16h |
| | Rapid | ----- |
| | Trickle | 18~30mA |
| Discharge Cut-off Voltage | | 1.0V |
| Cycle Life | | ≥ 500 Cycles |
| Ambient Temperature | Standard Charge | 0°C to 70°C |
| | Rapid Charge | ----- |
| | Trickle Charge | 0°C to 70°C |
| | Discharge | -20°C to 70°C |
| | Storage | -20°C to 45°C |
| Ambient Humidity | | 65±20% |



General Characteristics



Manufacturer reserves the right to alter or amend the approval sheet without the prior notice