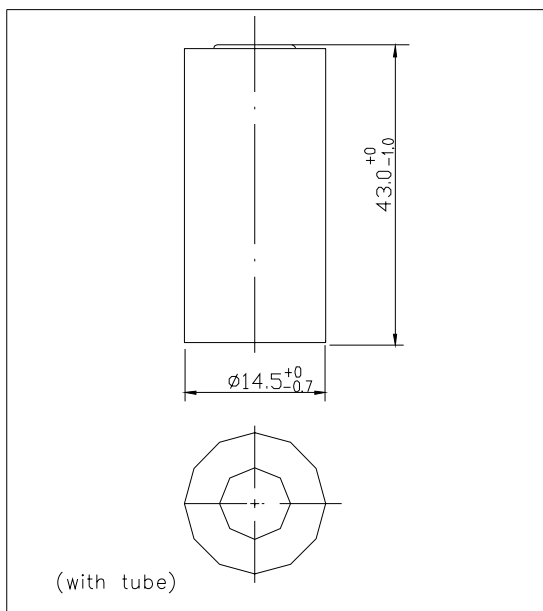
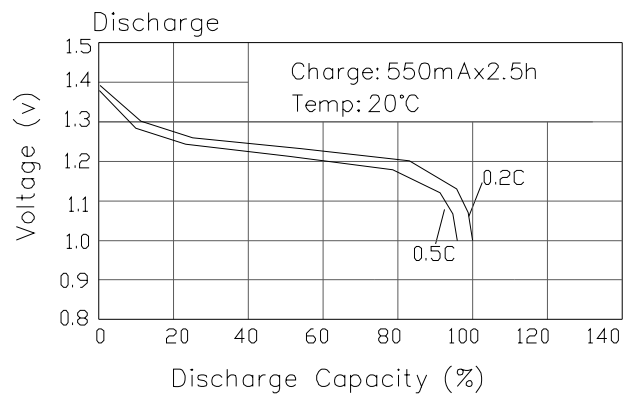
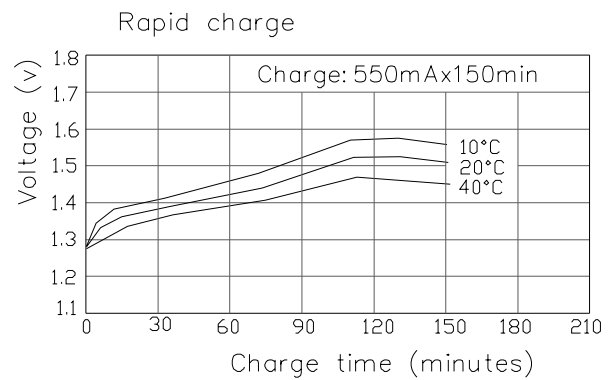
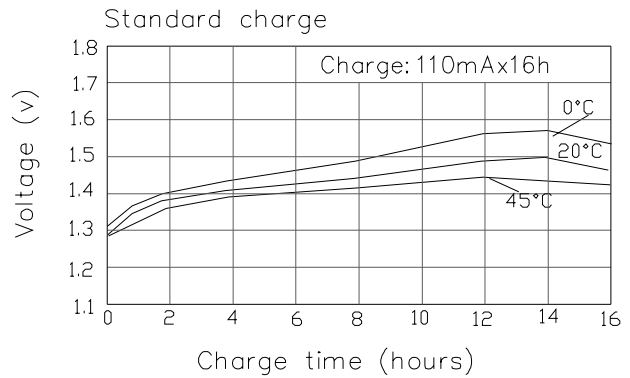


Single specification		
Product Name	Sealed Nickel Metal Hydride Cylindrical Rechargeable Battery	
Model	<b>EJH-4/5AA1100</b>	
Nominal Voltage	1.2V	
Nominal Capacity	1100mAh	
Dimension (with tube)	Diameter	14.5 <sup>+0</sup> <sub>-0.7</sub>
	Height	43.0 <sup>+0</sup> <sub>-1.0</sub>
Internal Resistance at 1000Hz (After charge)		≤ 25mΩ
Charge	Standard	110mA × 16h
	Rapid	550mA × 2.5h
	Trickle	33~55mA
Discharge Cut-off Voltage		1.0V
Cycle Life		≥ 500 Cycles
Ambient Temperature	Standard Charge	0°C to 45°C
	Rapid Charge	10°C to 40°C
	Trickle Charge	0°C to 45°C
	Discharge	-20°C to 50°C
	Storage	-20°C to 45°C
Ambient Humidity		65±20%



### General Characteristics



Manufacturer reserves the right to alter or amend the approval sheet without the prior notice