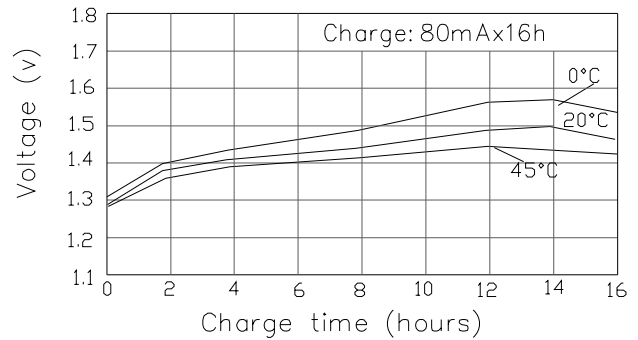


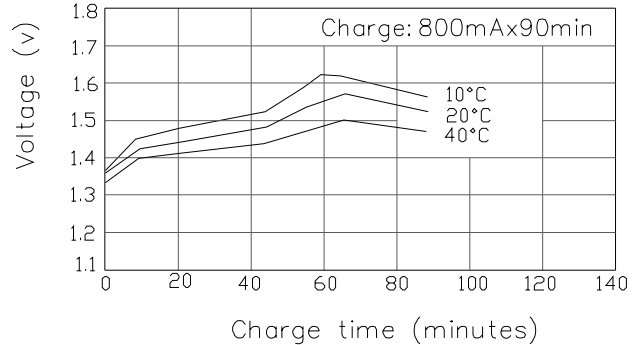
Single Specification		
Product Name	Sealed Nickel Cadmium Cylindrical Rechargeable Battery	
Model	EJD-AA800	
Nominal Voltage	1.2V	
Nominal Capacity	800mAh	
Dimension (with tube)	Diameter	14.5 ⁺⁰ _{-0.7}
	Height	50.5 ⁺⁰ _{-1.0}
Internal Resistance at 1000Hz		≤ 25mΩ (After charge)
Charge	Standard	80mA × 16h
	Rapid	800mA × 1.5h
	Trickle	24~40mA
Discharge Cut-off Voltage		1.0V
Cycle Life		≥ 500 Cycles
Ambient Temperature	Standard Charge	0°C to 45°C
	Rapid Charge	10°C to 40°C
	Trickle Charge	0°C to 45°C
	Discharge	-20°C to 50°C
	Storage	-20°C to 45°C
Ambient Humidity		65±20%

General Characteristics

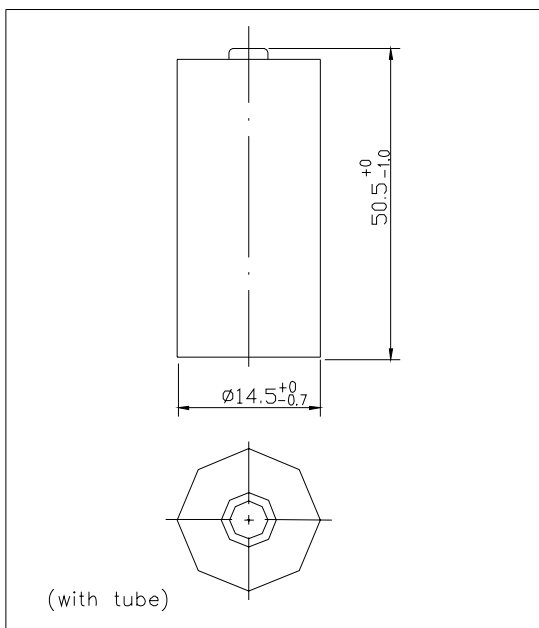
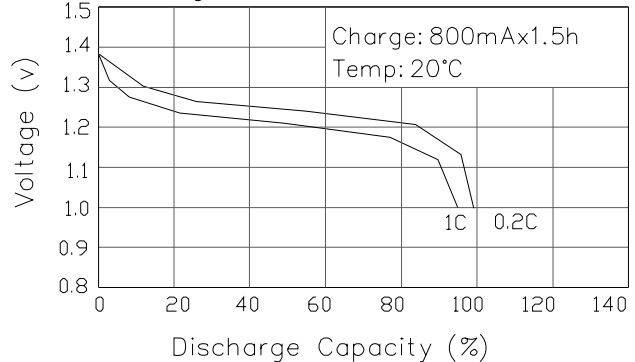
Standard charge



Rapid charge



Discharge



Manufacturer reserves the right to alter or amend the approval sheet without the prior notice